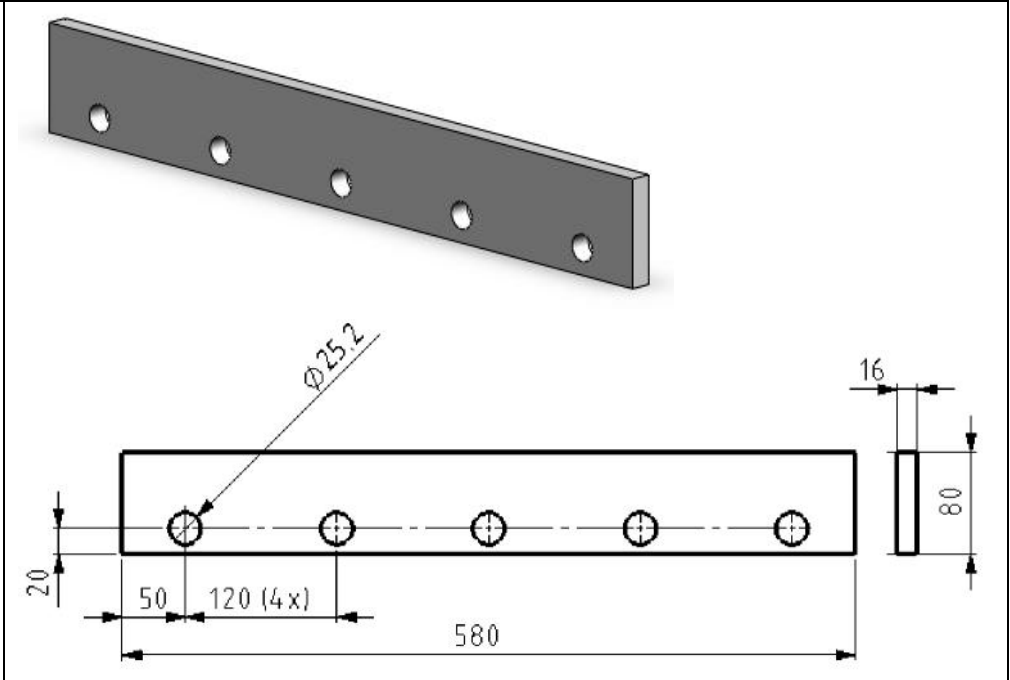
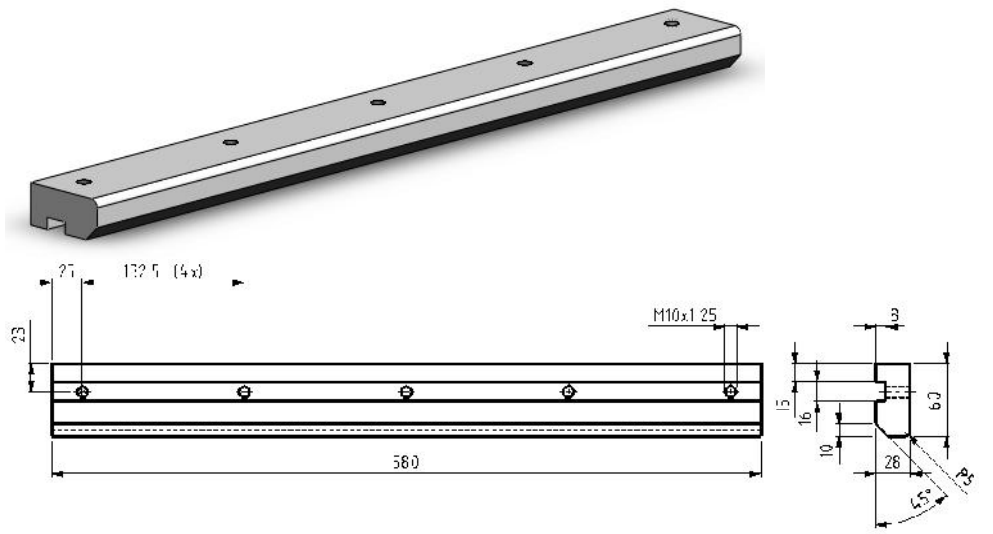


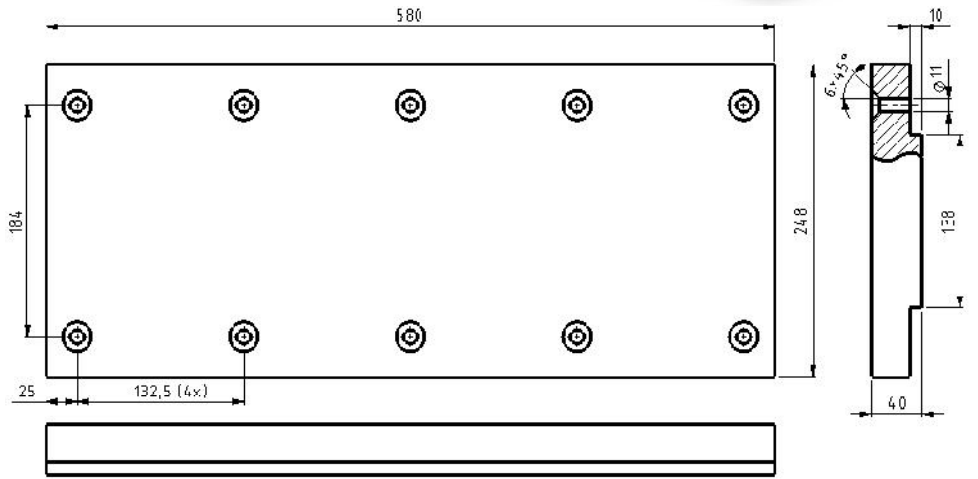
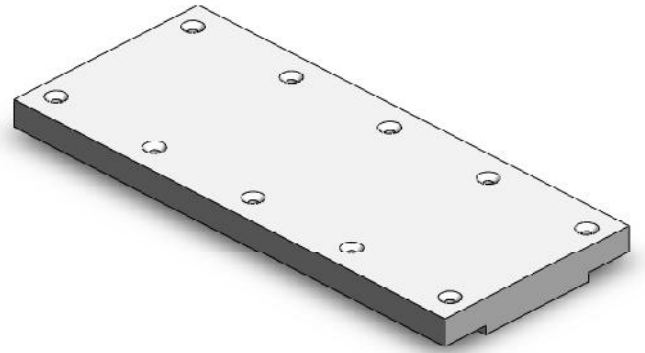
Exercise 3-12



**Exercise 3-13**



Exercise 3-14



**Exercise 3-15**

Make the assembly using parts 3-11 through 3-14.

Use 10x Socket Countersunk Head Screw (ISO 10642)

M10x45 to attach strip 3-13 to top plate 3-14.

Weld strip 3-12 to strip 3-13 using a fillet weld over the full length.

Use hex head screws M10x30 and an extra large plain washer to secure the rollers (3-11).

